

## Hydraulic Accessories Series

### PG63 Series Stainless Pressure Gauge

#### Symbol



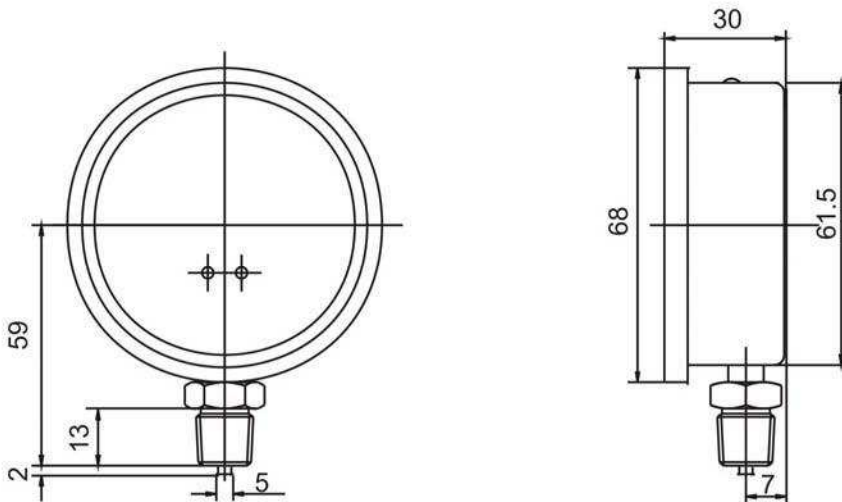
#### How to order

PG	63	B	100	G
Product type	Dial size	Connection option	Pressure range	Thread type & size
Pressure gauge	63mm	B: Bottom connection	10: 0~10Bar	G: BSP1/4"
		C: Back connection with U clamp	25: 0~25Bar	Z: NPT1/4"
		F: Back connection with front flange	40: 0~40Bar	S: SAE 6
			60: 0~60Bar	M: M14×1.5
			100: 0~100Bar	
			160: 0~160Bar	
			250: 0~250Bar	
			315: 0~315Bar	
			400: 0~400Bar	

#### Dimensions

Unit: mm

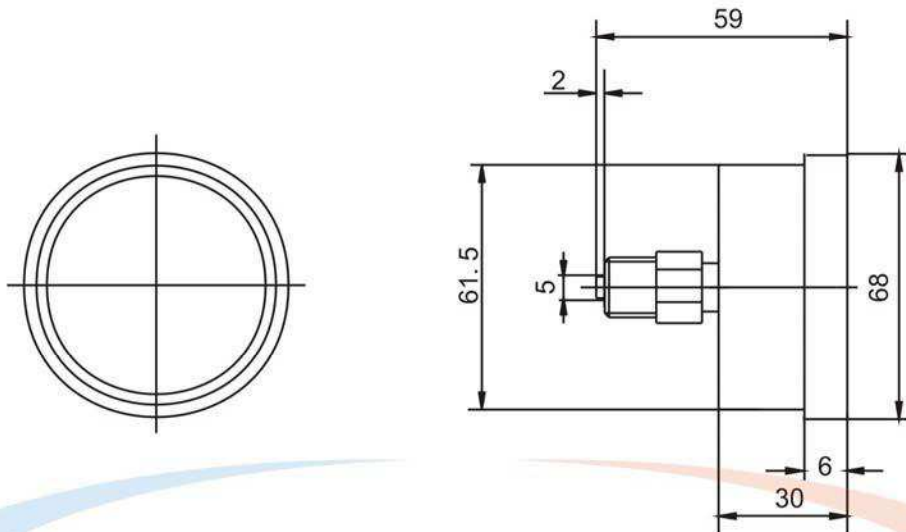
#### Bottom Connection Type



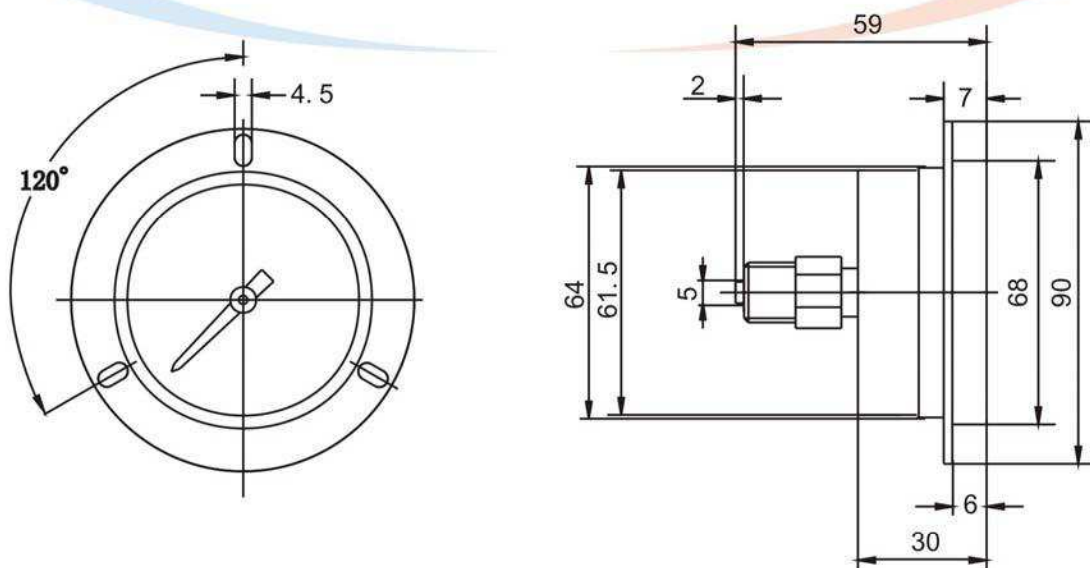
Dimensions

Unit: mm

Back Connection Type



Back Connection Type with Front Flange



O16