

RFA Tank Mounted Mini-type Return Filter Series



The RFA series filters can be installed on the top of the tank. They are widely used in the hydraulic system for fine filtering. Metal impurities, rubber impurities or other contamination can be easily filtered out.

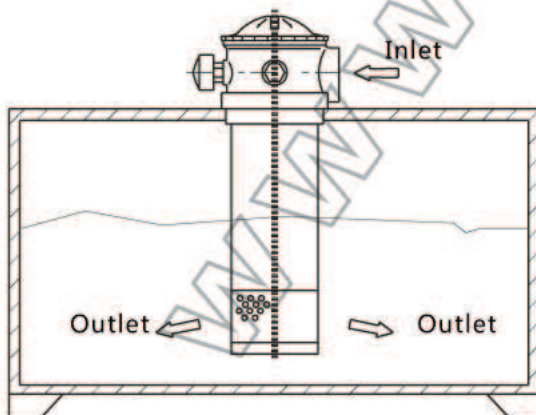
Characteristic

1. Easy to install and connect, simplify the system pipeline.
2. With by-pass valve, which improves the stability of the hydraulic system.
3. With electrical indicator, when filter element is blocked, they will give out the signal to clean or change the element.
4. The element is made of glass fiber. It has high filtration accuracy, low initial pressure loss and high dirt-holding capacity.
5. The filter has fluid diffuse to help the medium flow stably and avoid the air reentering.

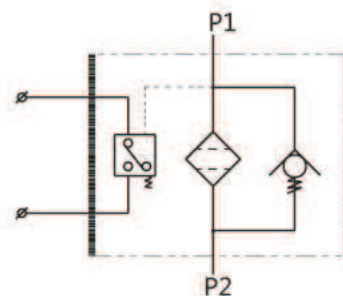
Ordering Information

RFA	BH	160	1C	L	Y
Product Type	Medium	Flow Rate	Filtration Precision	Connection Type	Indicator Type
RFA Tank Mounted Mini-type Return Filter Series	No Code: Hydraulic Oil BH: Water-glycol	25: 25l/m	1: 1µm 3: 3µm 5: 5µm 10: 10µm 20: 20µm 30: 30µm	L: Thread Connection F: Flange Connection	No Code: Without Indicator Y: With CYB- I Indicator DC24V C: With CY-II Indicator AC220V
		40: 40l/m			
		63: 63l/m			
		100: 100l/m			
		160: 160l/m			
		250: 250l/m			
		400: 400l/m			
		630: 630l/m			
		800: 800l/m			
		1000: 1000l/m			

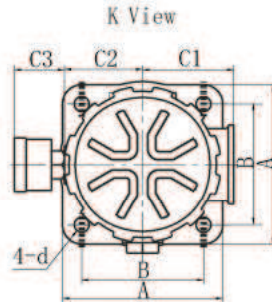
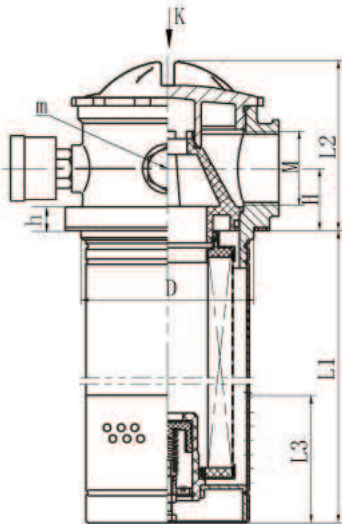
Installation Instruction



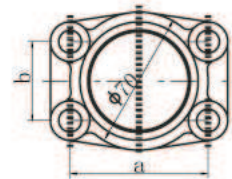
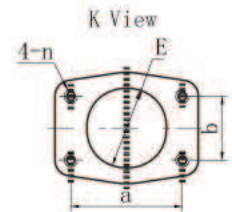
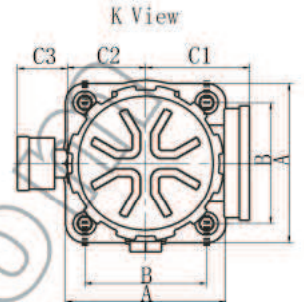
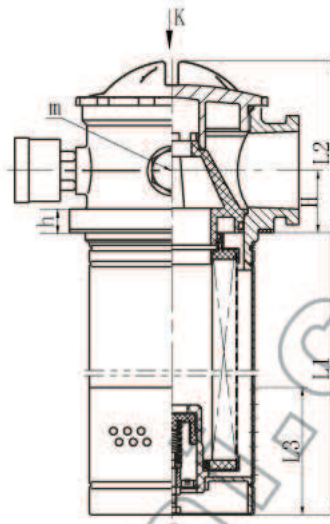
Symbol



Thread Connection Type



Flange Connection Type



Dimensions (mm)

Table for Thread Connection Type

Model	L1	L2	L3	H	D	M	m:	A	B	C1	C2	C3	d	h	apx. Weight (kgs)							
RFA * 25 * * L - *	127	74	45	25	75	M22x1.5	M18x1.5	90	70	53	45	39	9	10	0.85							
RFA * 40 * * L - *	158	93	60	33	95	M27x2		110	85	60	53			61	12	0.9						
RFA * 63 * * L - *	185					M33x2										125	95	71	61	13	15	1.5
RFA * 100 * * L - *	245					M42x2																1.7
RFA * 160 * * L - *	322	108	80	40	110	M42x2		13	15	2.7												

Note: We can also make BSP or NPT connection thread according to customer needs.

Table for Flange Connection Type

Model	L1	L2	L3	H	D	E	m	a	b	n	A	B	C1	C2	C3	d	Q	h	apx. Weight (kgs)
RFA * 250 * * F - *	422	108	80	40	110	50	M18x1.5	70	40	M10	125	95	81	61	39	13	60	15	4.4
RFA * 400 * * F - *	467	135	100	55	130	65		90	50		140	110	90	68			73	15	6.2
RFA * 630 * * F - *	494	175	118	70	160	90	M18x1.5	120	70	M10	170	140	110	85	39	13	102	18	8.2
RFA * 800 * * F - *	606																		8.9
RFA * 1000 * * F - *	780																		10

Note: The inlet flange, seals and screws used for this series will be supplied. If without an indicator, a plug will also be supplied.