

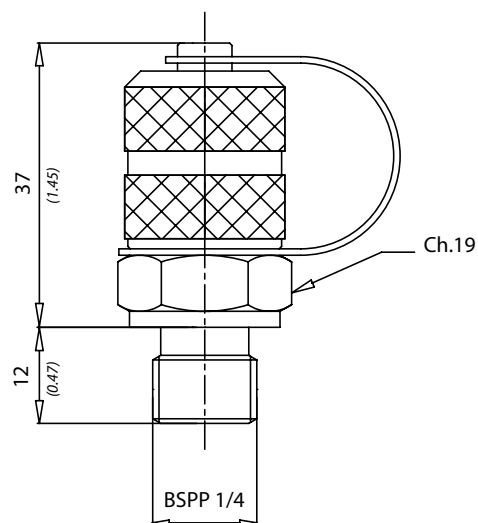


MNP140

Miniprese prova pressione
Test couplings for pressure checking



Dati tecnici Technical data	
Viscosità fluido Fluid viscosity	10-500 mm ² /s 45 to 2000 ssu (6 to 420 cSt)
Classe di contaminazione Filtration	ISO code 16/13 SAE class 4 or better
Temperatura fluido Fluid temperature	-20°C +80°C -4°F +176°F
Temperatura ambiente Ambient temperature	-20°C +50°C -4°F +122°F



Caratteristiche tecniche Technical performances			
Codice Code	Pressione Max Max pressure bar/PSI	Coppia di serraggio Tightening torque Nm/lbf ft	Peso approssimativo Approx weight Kg / lb
MNP	630 (9000)	30 (22)	0,08 (0.18)

Codice ordinazione Ordering code
MNP140

mm
(Inches)

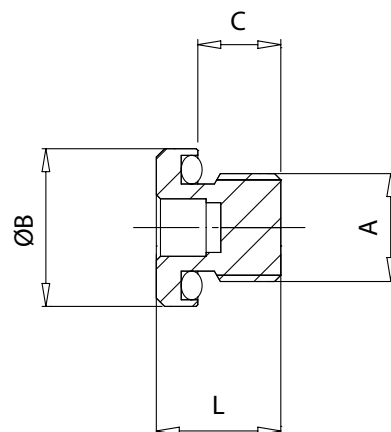


Tappi

Plugs



Caratteristiche tecniche Technical performances				
Codice Code	A	B	C	L
12000050	BSPP 1/8	16 (0.63)	5,5 (0.22)	9,5 (0.37)
12000137	BSPP 1/4	19 (0.75)	10 (0.39)	15 (0.59)
83500003	BSPP 3/8	22 (0.87)	11 (0.43)	17 (0.67)
83500004	BSPP 1/2	27 (1.06)	14 (0.55)	20 (0.79)
12000160	BSPP 3/4	32 (1.26)		



mm
(Inches)

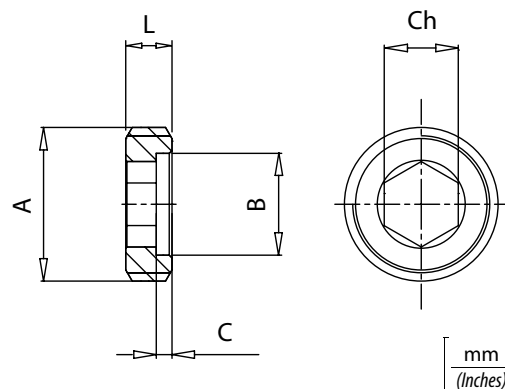


Ghiere filettate

Threaded rings



Caratteristiche tecniche Technical performances								
Codice Code	A	B	C	L	Ch			
61300301	M9x1	5,5 (0.22)	1,7 (0.07)	4 (0.16)	4 (0.16)			
61300171	M12x1	8,1 (0.32)				5 (0.20)	8 (0.32)	
61300008	BSPP 1/4			11 (0.43)	6 (0.24)			12 (0.47)
61300110	BSPP 3/8							
61300009	BSPP 3/8	11 (0.43)	5 (0.20)	8 (0.32)				
61300005	BSPP 1/2	14,5 (0.57)	2 (0.08)	6 (0.24)	12 (0.47)			
61300021	BSPP 3/4	20 (0.79)	3 (0.12)	7 (0.27)	16 (0.63)			
61300026	BSPP 1	24 (0.95)	4 (0.16)	9 (0.35)	18 (0.71)			



mm
(Inches)